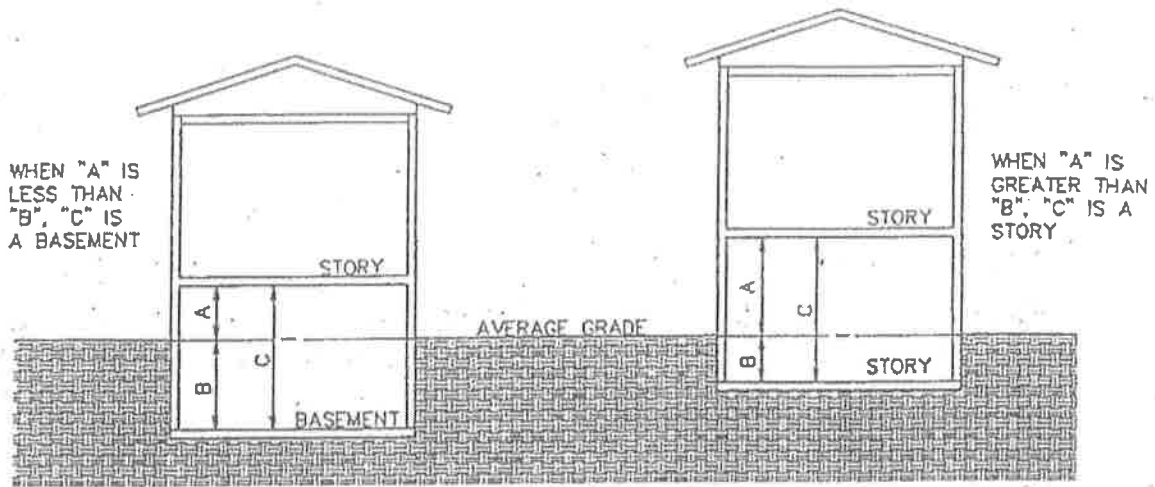
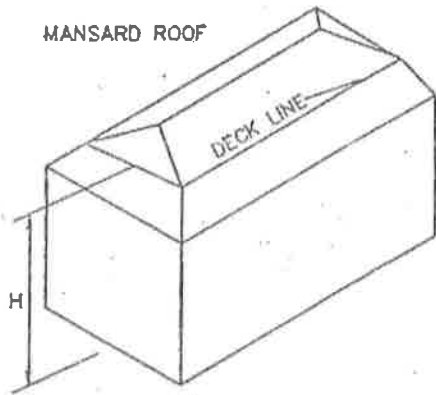


Appendix A

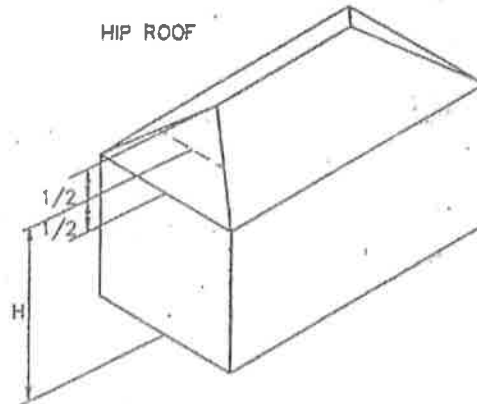
Diagrams



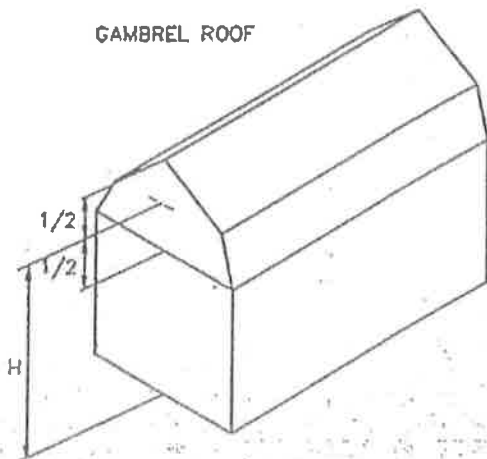
MANSARD ROOF



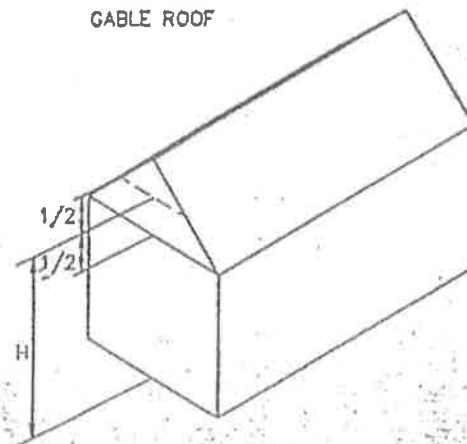
HIP ROOF



GAMBREL ROOF

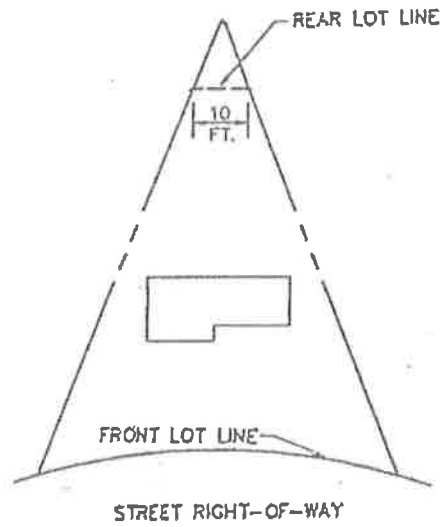
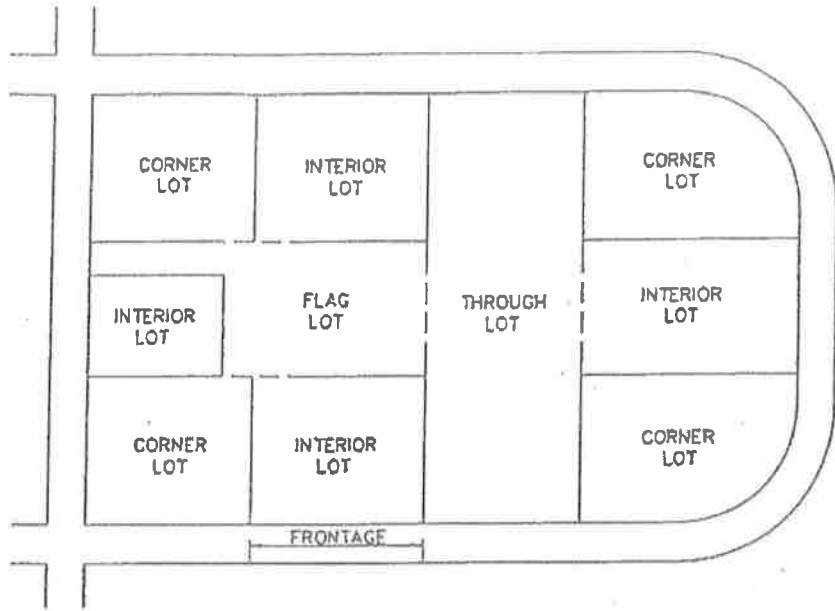


GABLE ROOF



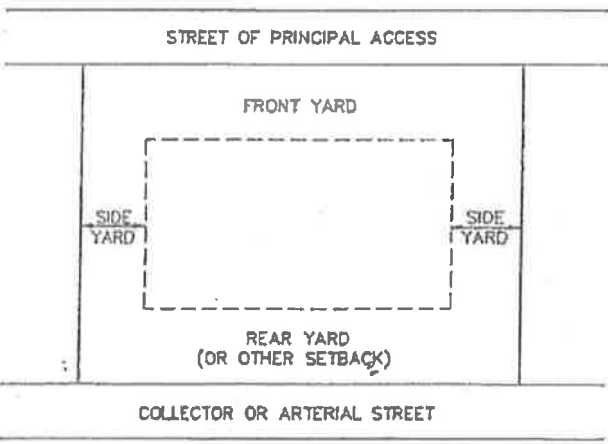
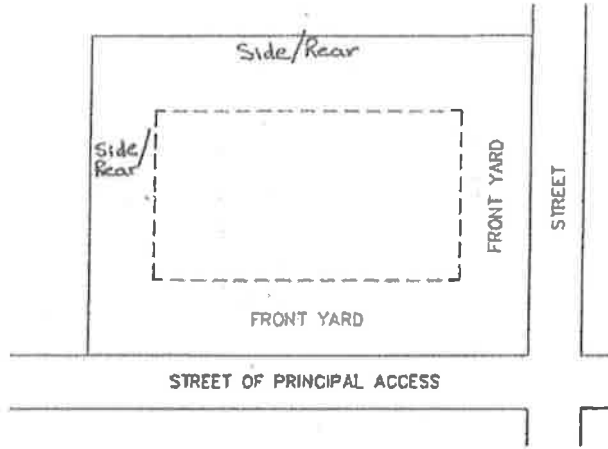
H = HEIGHT OF BUILDING

RETTEW
Associates, Inc.



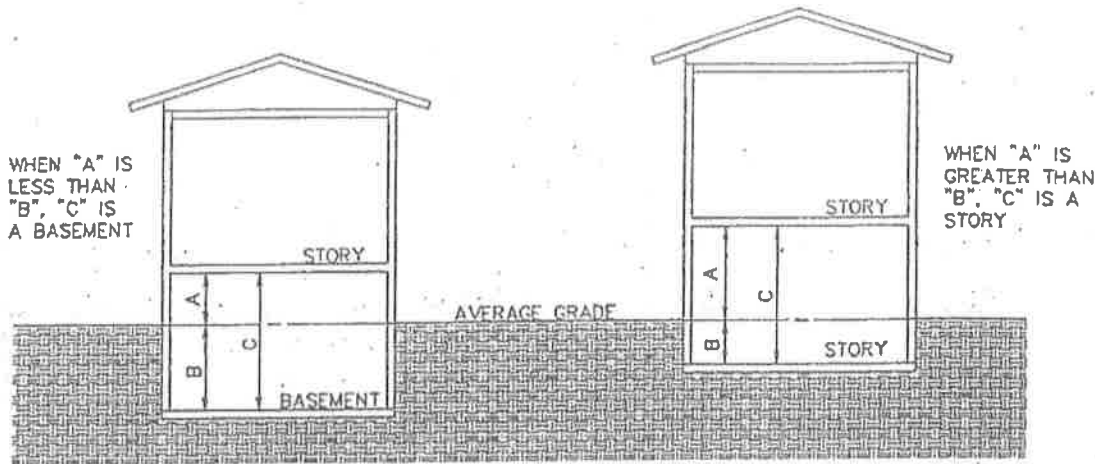
RETTEW
 Associates, Inc.

LOT DESIGN
CORNER LOT

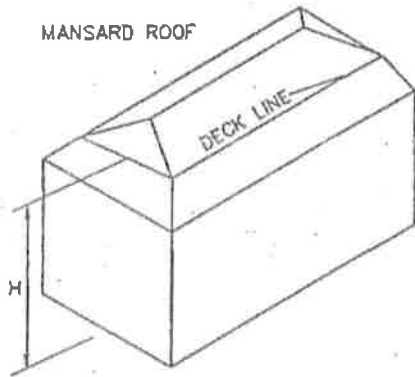


REVERSE FRONTAGE LOT

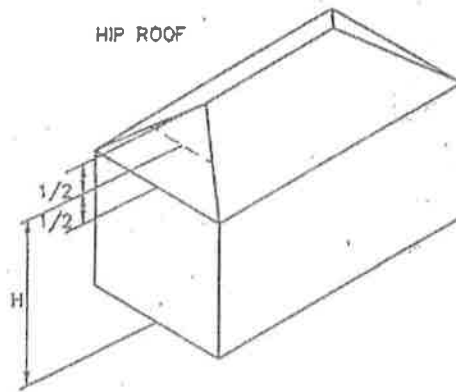
RETTEW
Associates, Inc.



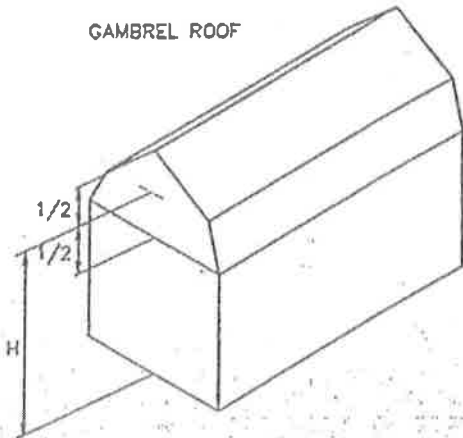
MANSARD ROOF



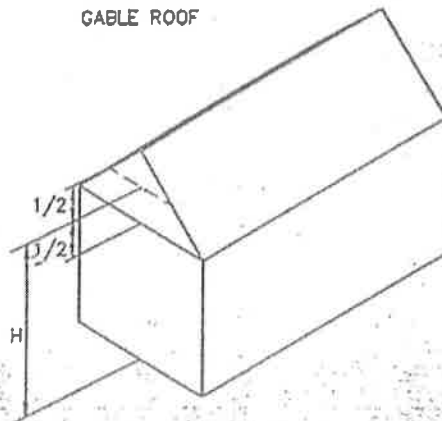
HIP ROOF



GAMBREL ROOF

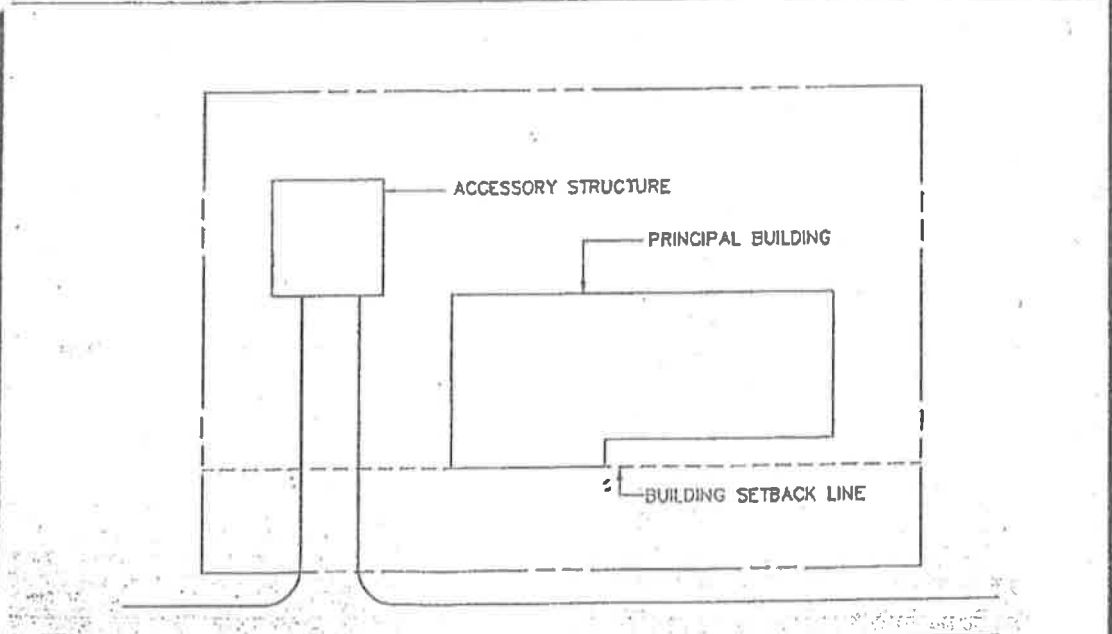
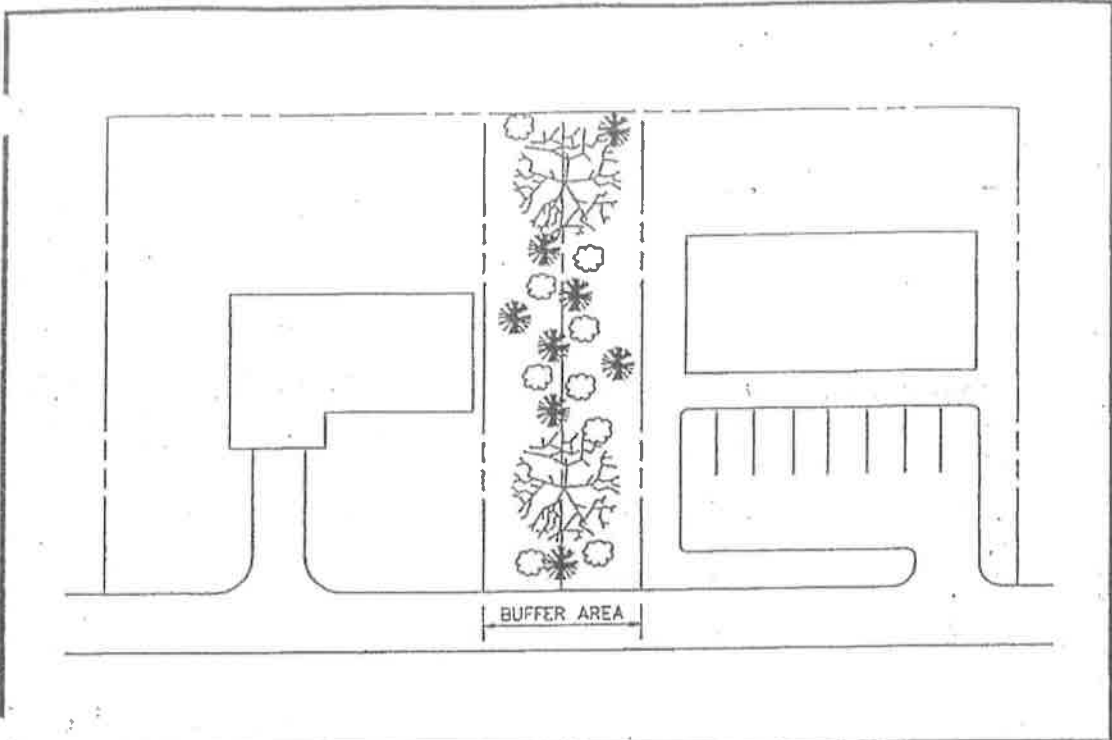


GABLE ROOF

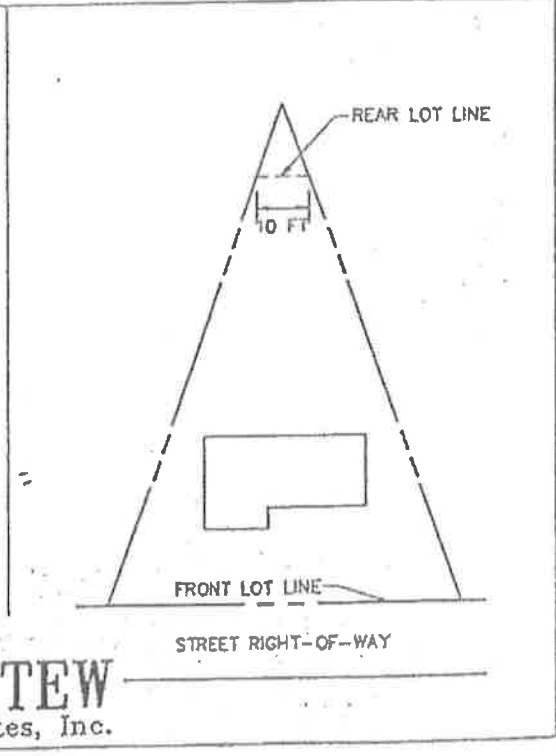
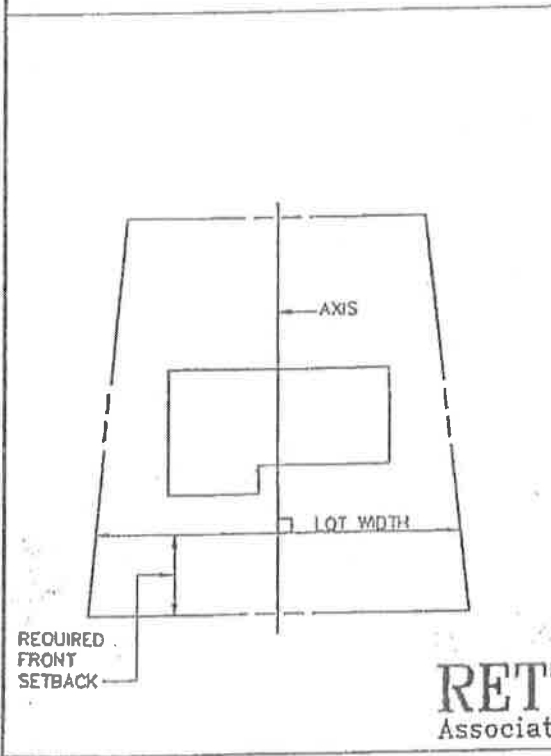
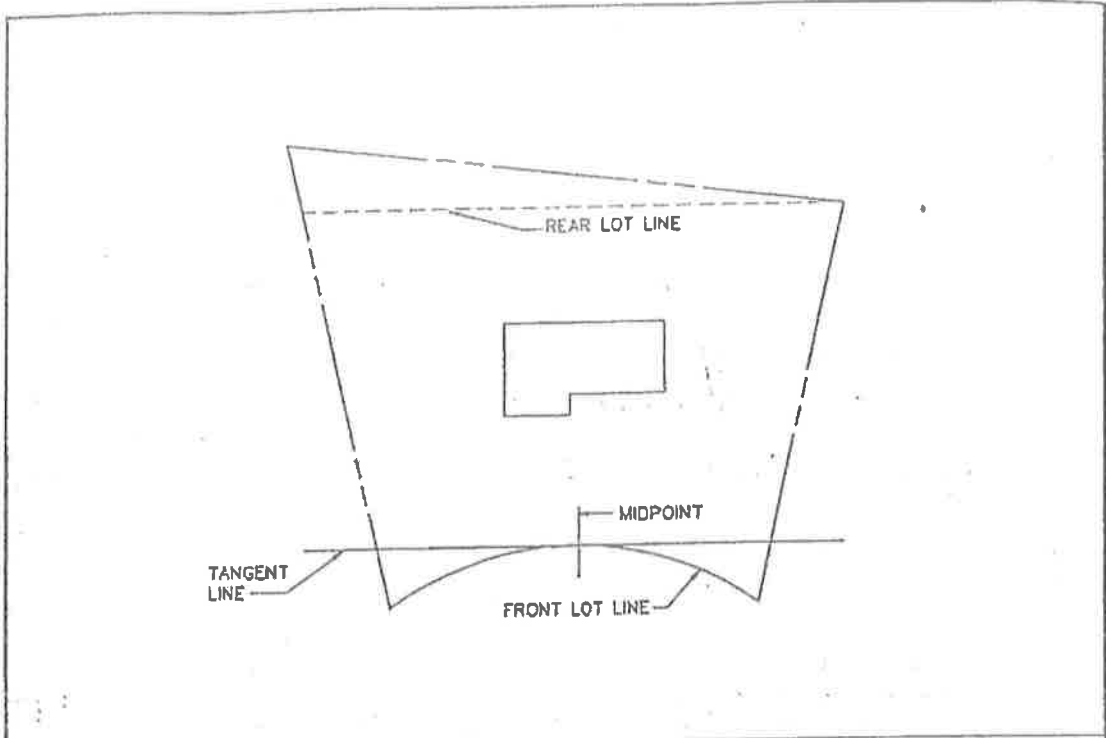


H = HEIGHT OF BUILDING

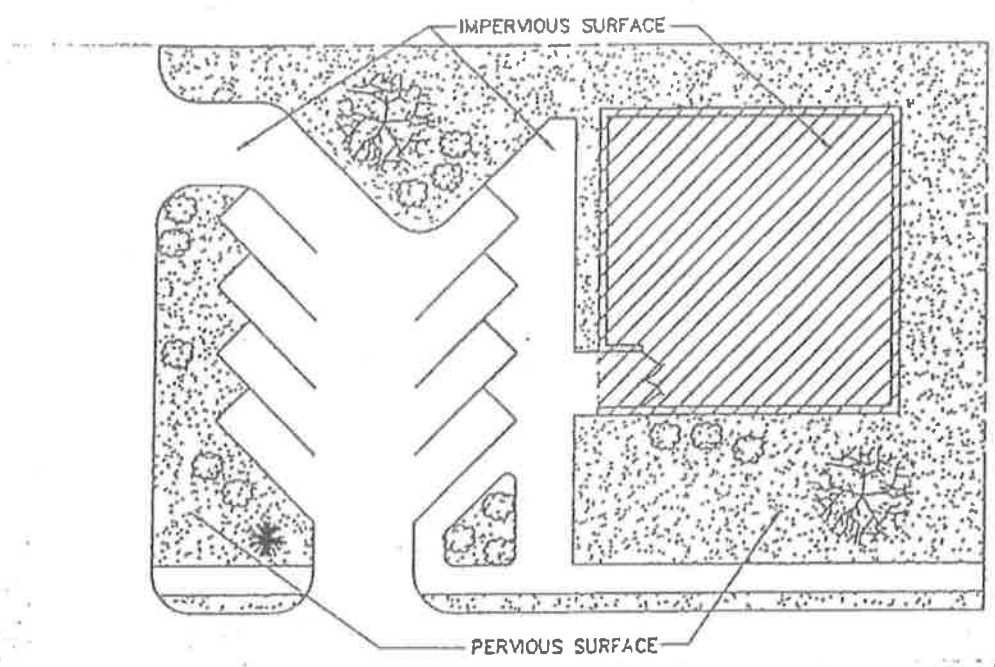
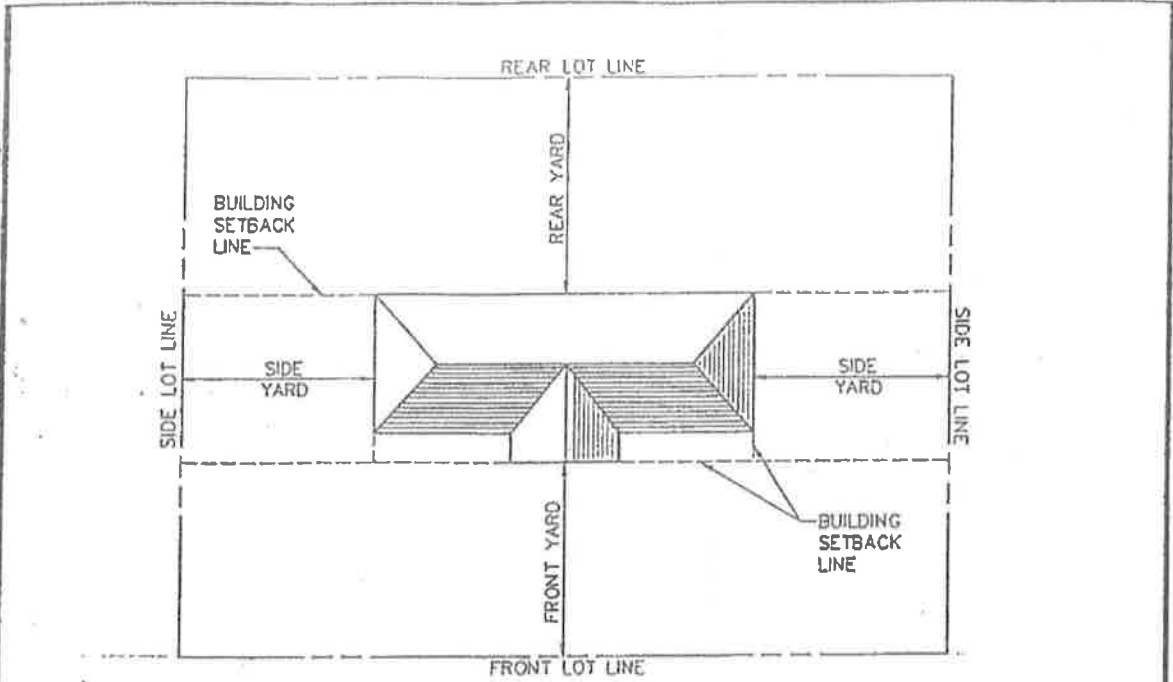
RETTEW
Associates, Inc.



RETTEW
Associates, Inc.



RETTEW
Associates, Inc.



RETTEW
Associates, Inc.